


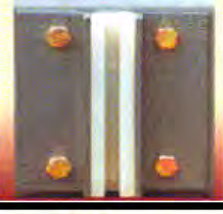



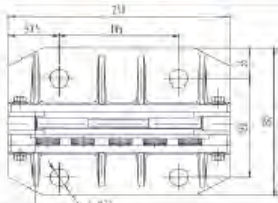


## SLIDING GUIDE SHOES

Art. Code	Picture	Descriptions		
		Permissible total load	Rated speed	Width of guide rail
GT.X01.010			<= 2,50 m/s	10 mm.
GT.X01.016				16 mm.
GT.X02.010			<= 2,50 m/s	10 mm.
GT.X02.016				16 mm.
GT.X03.010			<= 2,50 m/s	10 mm.
GT.X03.016				16 mm.
GT.X04.010			<= 2,50 m/s	10 mm.
GT.X04.016				16 mm.
GT.X12.010			<= 2,00 m/s	10 mm.
GT.X12.016				16 mm.
GT.X10.010			<= 1,75 m/s	10 mm.
GT.X10.016				16 mm.
GT.X01.010		Car side:	<= 2,00 m/s	10 mm.
GT.X16.016		1.000 Kg.		16 mm.
GT.X16.C10		Counterweight side:	<= 2,50 m/s	10 mm.
GT.X16.C16		3.500 Kg.		16 mm.

## SLIDING GUIDE SHOES

Art. Code	Picture	Descriptions		
		Permissible total load	Rated speed	Width of guide rail
PB231			$\leq 2,00 \text{ m/s}$	10 mm.
				16 mm.
	