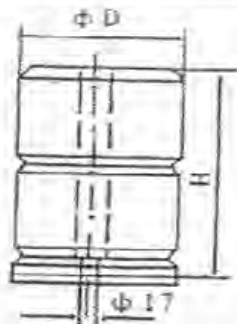
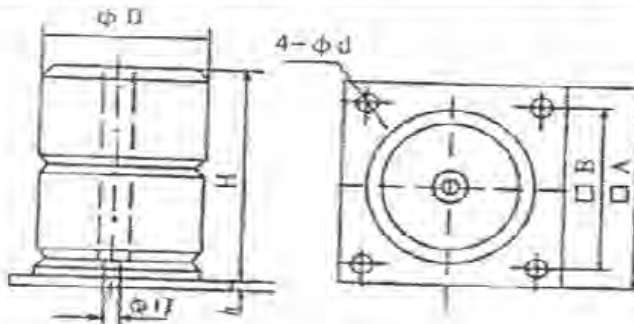


POLYURETHANE BUFFER

Art. Code	D	H	Travelling mm.	Rated speed m/s	Total mass Kg	Connectio's dimension		
						A	B	d
PB-HP8003	125	80	48	$\leq 0,63$	475 - 2.313	155	125	13
PB-HP8004	165	80	48	$\leq 0,63$	800 - 4.250	190	150	17
PB-HP8109	220	80	48	$\leq 0,63$	1.200 - 5.200	260	200	17
PB-HP8110	125	200	125	$\leq 1,00$	500 - 2.600	155	125	13
PB-HP8104	140	200	125	$\leq 1,00$	650 - 3.500	190	150	17
PB-HP8107	165	200	125	$\leq 1,00$	850 - 4.730	190	150	17



Direct connect



Connect with plate